

## *32-Mbyte RAM SIMM Installation*

Only Tektronix proprietary RAM SIMMs operate correctly in the Phaser 480X Color Printer.

### **Static electricity precautions**

- Plug in the ground adapter (003-1501-00) in an AC outlet. Connect the anti-static mat (006-7056-00) to the adapter's groundplug.
- Put on your anti-static wrist strap and connect it to the anti-static mat.
- Leave the printer plugged into its power outlet; this preserves a ground path for static discharges.
- Touch the printer's bare metal frame often to discharge static electricity from your body.
- Handle the circuit board(s) by their edges only.
- Do not lay the board(s) on a metal surface.
- Avoid wearing nylon or polyester clothing; they generate static electricity.

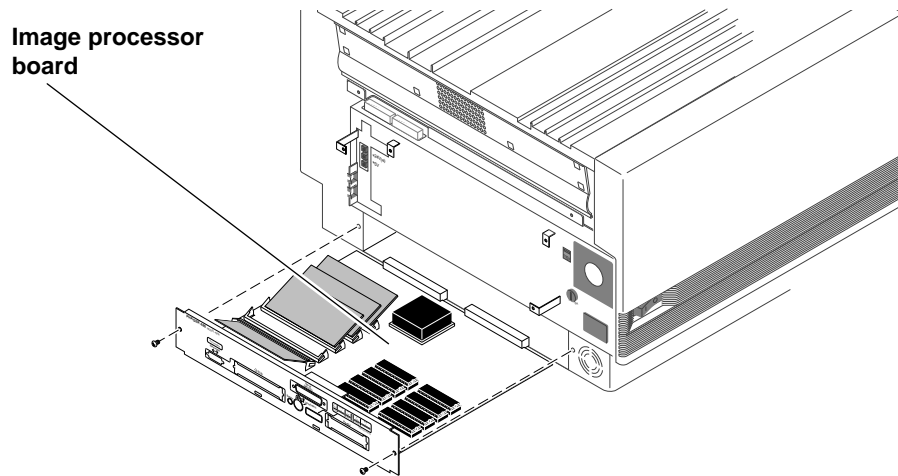
### **On-site installation**

Professional, on-site installation is just a phone call away. Productivity is important to your business success – so when you need it done right – the first time – call Tektronix. Tektronix' on-site installation delivers what you've been looking for: expert service technicians who provide quality, on-site product installation. In the United States and Canada, call 1-800-835-6100.

## Installation

The image processor board features four RAM SIMM connectors J5, J6, J7 and J8. J5 should already be filled with a 32-Mbyte RAM SIMM.

1. Turn off the printer. Remove the power cord.
2. Disconnect all host computer interface cables connected to the printer.
3. Remove the two screws securing the image processor board in place. Carefully, slide the image processor board out of the printer.



8850-31

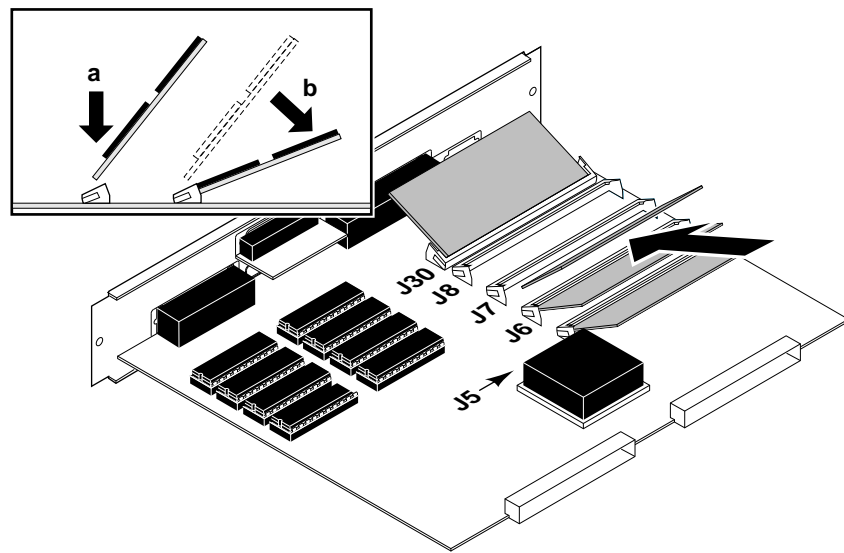
4. Locate the SIMM connectors J6, J7 and J8. Insert a keyed 32-Mbyte SIMM in connector J6 (or in J7 if J6 is already filled) **(a)**, and tilt the module downward until it locks in place **(b)**. Repeat this step to fill J8. *Only a 16-Mbytes RAM SIMM may be installed in connector J8. A single 16-Mbyte SIMM can be mixed with the 32-Mbyte RAM SIMMs only if the 16-Mbyte SIMM is the last installed SIMM.*

### Phaser 480X RAM SIMM configurations

Total RAM installed	SIMM1 (J5)	SIMM 2 (J6)	SIMM 3 (J7)	SIMM 4 (J8)
32 Mbytes	32-Mbyte SIMM	empty	empty	empty
48 Mbytes	32-Mbyte SIMM	16-Mbyte SIMM	empty	empty
64 Mbytes	32-Mbyte SIMM	32-Mbyte SIMM	empty	empty
80 Mbytes	32-Mbyte SIMM	32-Mbyte SIMM	16-Mbyte SIMM	empty
96 Mbytes	32-Mbyte SIMM	32-Mbyte SIMM	32-Mbyte SIMM	empty
112 Mbytes	32-Mbyte SIMM	32-Mbyte SIMM	32-Mbyte SIMM	16-Mbyte SIMM

When properly inserted, a tab on each end of the connector slips into a hole on each end of the SIMM. Also, a pawl on each end of the connector latches around each end of the SIMM to lock it in place.

**Caution** Do not insert a RAM SIMM in the Ethernet card connector J30. It could be damaged upon power-up.



8850-32A

5. Reinsert the image processor board into the printer.
6. Turn on the printer and print a start page. It lists the installed memory. The Phaser 480X Color Printer User Manual explains how to print a start page.